

LP38859S-1.2 Evaluation Board

National Semiconductor
Application Note 1480
Don Jones
November 2006



Introduction

This board is designed to enable the evaluation of the LP38859 Voltage Regulator. Each board is assembled and tested in the factory. This evaluation board has the TO-263 5-lead package mounted.

General Description

The LP38859 is a dual-rail LDO linear regulator capable of supplying up to 3A of output current, and incorporates a Soft-Start feature.

The device has been designed to work with 10 μF input and output ceramic capacitors, and 1 μF bias capacitors. Footprints areas for C_{IN} and C_{OUT} will allow for a variety of sizes.

Operation

The input voltage, applied between V_{IN} and GND, should be at least 1.0V greater than V_{OUT} , and no higher than the applied V_{BIAS} voltage.

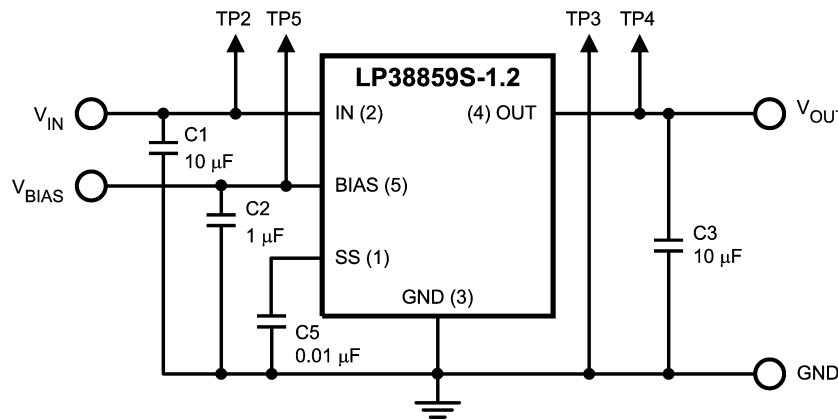
The bias voltage, applied between V_{BIAS} and GND should be above the minimum bias voltage of 3.0V, and no higher than the maximum of 5.5V.

Loads can be connected to V_{OUT} with reference to GND.

V_{OUT} and V_{IN} test points are provided on the board to allow accurate measurements directly on the evaluation board, eliminating any voltage drop on the PCB traces or connecting wires to the load.

The Soft-Start time for V_{OUT} is an exponential function, and is adjusted by changing the Soft-Start capacitor (C_{SS}) on device pin one. An internal resistor (r_{SS}) and the external capacitor (C_{SS}) form an RC circuit. Five RC time constants is considered to be the Soft-Start time.

Schematic Diagram

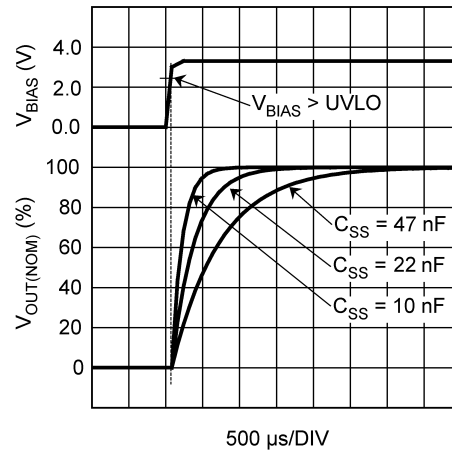


Evaluation Board Schematic

20193601

$$\text{Soft-Start Time} = 5 \times r_{\text{SS}} \times C_{\text{SS}}$$

The installed soft-start capacitor (C_{SS}) is 10 nF (0.01 μF), and the internal r_{SS} is typically 16 k Ω .



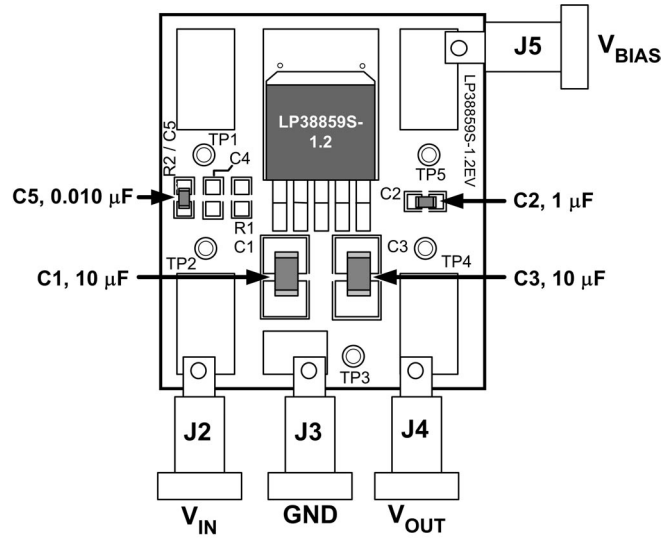
20193605

FIGURE 1. V_{OUT} vs C_{SS}

Hardware

The schematic and layout of the evaluation board are given below:

PCB Layout



Evaluation Board Component and Pin Layout

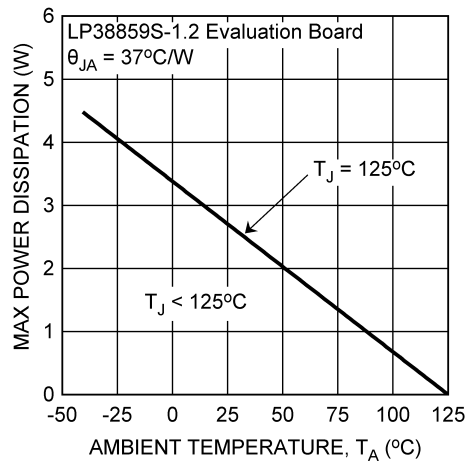
20193602

Power Dissipation

The TO-263 package alone has a junction to ambient thermal resistance (θ_{JA}) rating of 60°C/W. When mounted on the LP38859S evaluation board the θ_{JA} rating is approximately 37°C/W.

Although there is only approximately 0.28 square inches of copper area immediately under the tab, the top copper surface area is extended to additional copper area on the bottom of the board by five thermal vias.

With the 37°C/W thermal rating the LP38859S evaluation board will dissipate a maximum of 2.75W with $T_A = 25^\circ\text{C}$.



20193606

FIGURE 2. Maximum Power Dissipation vs Ambient Temperature

Bill of Materials

| ID | Name | Description | Manufacturer | Part Number |
|-----|--------------------|--|------------------------------------|-------------------|
| U1 | U1 | LP38859S-1.2 NOPB | National Semiconductor Corporation | LP38859S-1.2 NOPB |
| C1 | C _{IN} | 10 μ F, 10%, MLCC, 10V, X7R, 1210 | AVX | 1210ZC106KAT2A |
| C2 | C _{BIAS} | 1 μ F, 10%, MLCC, 10V, X7R, 0805 | AXV | 0805ZC105KAT2A |
| C3 | C _{OUT} | 10 μ F, 10%, MLCC, 10V, X7R, 1210 | AVX | 1210ZC106KAT2A |
| C4 | — | Not Installed | — | — |
| C5 | C _{SS} | 0.010 μ F, 10%, MLCC, 16V, X7R, 0805 | AVX | 0805YC103KAT2A |
| J1 | — | Not Installed | Johnson Components | — |
| J2 | V _{IN} | Banana Jack : Insulated Solder Terminal - RED | | 108-0902-001 |
| J3 | GND | Banana Jack : Insulated Solder Terminal - BLACK | | 108-0903-001 |
| J4 | V _{OUT} | Banana Jack : Insulated Solder Terminal - ORANGE | | 108-0906-001 |
| J5 | V _{BIAS} | Banana Jack : Insulated Solder Terminal - BLUE | | 108-0910-001 |
| R1 | — | Not Installed | — | — |
| R2 | — | Not Installed | — | — |
| TP1 | — | Not Installed | — | — |
| TP2 | TP _{IN} | Turret Terminal : Mounting Hole Diameter = 0.062" | Keystone | 1593-2 |
| TP3 | TP _{GND} | | | |
| TP4 | TP _{OUT} | | | |
| TP5 | TP _{BIAS} | | | |

THE CONTENTS OF THIS DOCUMENT ARE PROVIDED IN CONNECTION WITH NATIONAL SEMICONDUCTOR CORPORATION ("NATIONAL") PRODUCTS. NATIONAL MAKES NO REPRESENTATIONS OR WARRANTIES WITH RESPECT TO THE ACCURACY OR COMPLETENESS OF THE CONTENTS OF THIS PUBLICATION AND RESERVES THE RIGHT TO MAKE CHANGES TO SPECIFICATIONS AND PRODUCT DESCRIPTIONS AT ANY TIME WITHOUT NOTICE. NO LICENSE, WHETHER EXPRESS, IMPLIED, ARISING BY ESTOPPEL OR OTHERWISE, TO ANY INTELLECTUAL PROPERTY RIGHTS IS GRANTED BY THIS DOCUMENT.

TESTING AND OTHER QUALITY CONTROLS ARE USED TO THE EXTENT NATIONAL DEEMS NECESSARY TO SUPPORT NATIONAL'S PRODUCT WARRANTY. EXCEPT WHERE MANDATED BY GOVERNMENT REQUIREMENTS, TESTING OF ALL PARAMETERS OF EACH PRODUCT IS NOT NECESSARILY PERFORMED. NATIONAL ASSUMES NO LIABILITY FOR APPLICATIONS ASSISTANCE OR BUYER PRODUCT DESIGN. BUYERS ARE RESPONSIBLE FOR THEIR PRODUCTS AND APPLICATIONS USING NATIONAL COMPONENTS. PRIOR TO USING OR DISTRIBUTING ANY PRODUCTS THAT INCLUDE NATIONAL COMPONENTS, BUYERS SHOULD PROVIDE ADEQUATE DESIGN, TESTING AND OPERATING SAFEGUARDS.

EXCEPT AS PROVIDED IN NATIONAL'S TERMS AND CONDITIONS OF SALE FOR SUCH PRODUCTS, NATIONAL ASSUMES NO LIABILITY WHATSOEVER, AND NATIONAL DISCLAIMS ANY EXPRESS OR IMPLIED WARRANTY RELATING TO THE SALE AND/OR USE OF NATIONAL PRODUCTS INCLUDING LIABILITY OR WARRANTIES RELATING TO FITNESS FOR A PARTICULAR PURPOSE, MERCHANTABILITY, OR INFRINGEMENT OF ANY PATENT, COPYRIGHT OR OTHER INTELLECTUAL PROPERTY RIGHT.

LIFE SUPPORT POLICY

NATIONAL'S PRODUCTS ARE NOT AUTHORIZED FOR USE AS CRITICAL COMPONENTS IN LIFE SUPPORT DEVICES OR SYSTEMS WITHOUT THE EXPRESS PRIOR WRITTEN APPROVAL OF THE CHIEF EXECUTIVE OFFICER AND GENERAL COUNSEL OF NATIONAL SEMICONDUCTOR CORPORATION. As used herein:

Life support devices or systems are devices which (a) are intended for surgical implant into the body, or (b) support or sustain life and whose failure to perform when properly used in accordance with instructions for use provided in the labeling can be reasonably expected to result in a significant injury to the user. A critical component is any component in a life support device or system whose failure to perform can be reasonably expected to cause the failure of the life support device or system or to affect its safety or effectiveness.

National Semiconductor and the National Semiconductor logo are trademarks or registered trademarks of National Semiconductor Corporation. All other brand or product names may be trademarks or registered trademarks of their respective holders.

Copyright © 2006 National Semiconductor Corporation.

For the most current product information visit us at www.national.com.



National Semiconductor
Americas Customer
Support Center
Email: new.feedback@nsc.com
Tel: 1-800-272-9959

www.national.com

National Semiconductor
Europe Customer Support Center
Fax: +49 (0) 180-530 85 86
Email: europa.support@nsc.com
Deutsch Tel: +49 (0) 69 9508 6208
English Tel: +44 (0) 870 24 0 2171
Français Tel: +33 (0) 1 41 91 8790

National Semiconductor
Asia Pacific Customer
Support Center
Email: ap.support@nsc.com

National Semiconductor
Japan Customer Support Center
Fax: 81-3-5639-7507
Email: jpn.feedback@nsc.com
Tel: 81-3-5639-7560